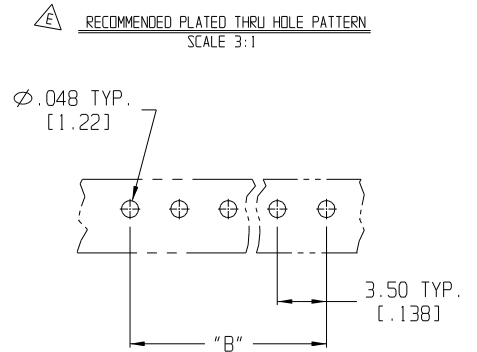
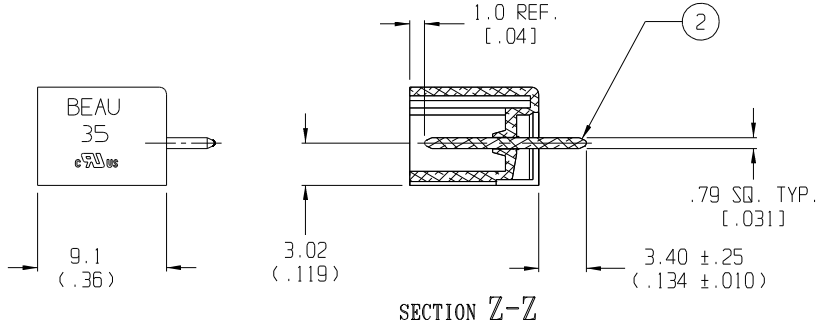
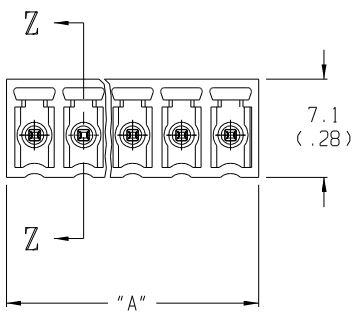
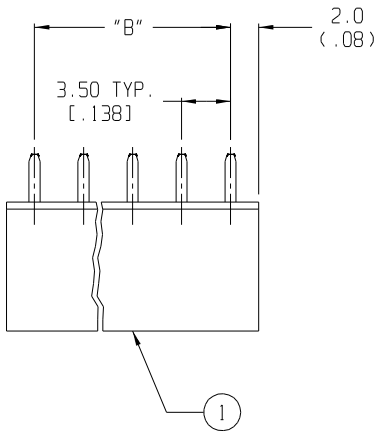


BLUE MATERIAL NO.	ORANGE MATERIAL NO.	GREEN MATERIAL NO.	BLACK MATERIAL NO.	BLACK (GOLD OPT) MATERIAL NO.	NUMBER OF CIRCUITS "XX"	DIM. "B"	DIM. "A" ±.13 (.010)
393533002	393532002	393531002	393530002	393530102	02	3.50 (.138)	7.51 (.296)
393533003	393532003	393531003	393530003	393530103	03	7.00 (.276)	11.01 (.433)
393533004	393532004	393531004	393530004	393530104	04	10.50 (.413)	14.51 (.571)
393533005	393532005	393531005	393530005	393530105	05	14.00 (.551)	18.01 (.709)
393533006	393532006	393531006	393530006	393530106	06	17.50 (.689)	21.51 (.847)
393533007	393532007	393531007	393530007	393530107	07	21.00 (.827)	25.01 (.985)
393533008	393532008	393531008	393530008	393530108	08	24.50 (.965)	28.51 (1.122)
393533009	393532009	393531009	393530009	393530109	09	28.00 (1.102)	32.01 (1.260)
393533010	393532010	393531010	393530010	393530110	10	31.50 (1.240)	35.51 (1.398)
393533011	393532011	393531011	393530011	393530111	11	35.00 (1.378)	39.01 (1.536)
393533012	393532012	393531012	393530012	393530112	12	38.50 (1.516)	42.51 (1.674)
393533013	393532013	393531013	393530013	393530113	13	42.00 (1.654)	46.01 (1.811)
393533014	393532014	393531014	393530014	393530114	14	45.50 (1.791)	49.51 (1.949)
393533015	393532015	393531015	393530015	393530115	15	49.00 (1.929)	53.01 (2.087)
393533016	393532016	393531016	393530016	393530116	16	52.50 (2.067)	56.51 (2.225)
393533017	393532017	393531017	393530017	393530117	17	56.00 (2.205)	60.01 (2.363)
393533018	393532018	393531018	393530018	393530118	18	59.50 (2.343)	63.51 (2.500)
393533019	393532019	393531019	393530019	393530119	19	63.00 (2.480)	67.01 (2.638)
393533020	393532020	393531020	393530020	393530120	20	66.50 (2.618)	70.51 (2.776)



- NOTES:
1. MATERIAL: SEE TABLE
 2. FINISHES: SEE TABLE
 3. PRODUCT SPECIFICATION: NOT REQUIRED
 4. PACKAGING: NOT REQUIRED
 5. MATES WITH: 35 SERIES PLUG.
 6. ALL FEATURES ARE TYPICAL UNLESS OTHERWISE NOTED.

ITEM	QTY.	DESCRIPTION	MATERIAL	FINISH
2	XX	STRAIGHT PIN	BRASS C 26000	BRT. TIN/CU GOLD PLATED
1	1	HEADER	POLYAMIDE 4/6	SEE CHART

EC NO. ECO 11531
 DRWN: RS 04-26-04
 CHK: [Signature]
 APPR: [Signature]

DESCRIPTION: [Signature]

REV: [Signature]

QUALITY SYMBOLS: MAJOR = [Symbol], CRITICAL = [Symbol]

GENERAL TOLERANCES: (UNLESS SPECIFIED)

	mm	INCH
4 PLACES	±.038	±.0015
3 PLACES	±.038	±.005
2 PLACES	±.13	±.01
1 PLACE	±.3	

ANGULAR: ±2°

DRAFT WHERE APPLICABLE MUST REMAIN WITHIN DIMENSIONS

SCALE: 3:1

DESIGN UNITS: mm INCH

THIRD ANGLE PROJECTION

DRAWN BY & DATE: R. STONE 9-17-01

CHECKED BY & DATE: R. KEMP 1-4-02

APPROVED BY & DATE: L. ROTHHAUS 1-5-02

CAD FILENAME: 3516XX

MATERIAL NO.: SEE CHART

DRAWING NO.: SD-39353-001

SHEET NO.: 1 OF 1

SIZE: B

PROJECT NO. E-602

DIMENSIONS: mm INCH mm ONLY

SHT: [] REV: []

REVISION ON CAD ONLY

TITLE: 3.5mm HEADER ASSEMBLY (NO MTG. ENDS)

MOLEX INCORPORATED

THIS DRAWING CONTAINS INFORMATION THAT IS PROPRIETARY TO MOLEX INCORPORATED AND SHOULD NOT BE USED WITHOUT WRITTEN PERMISSION.